



Cambridge IGCSE™

CANDIDATE
NAME

CENTRE
NUMBER

--	--	--	--	--

CANDIDATE
NUMBER

--	--	--	--



MATHEMATICS

0580/22

Paper 2 (Extended)

May/June 2023

1 hour 30 minutes

You must answer on the question paper.

You will need: Geometrical instruments

INSTRUCTIONS

- Answer **all** questions.
- Use a black or dark blue pen. You may use an HB pencil for any diagrams or graphs.
- Write your name, centre number and candidate number in the boxes at the top of the page.
- Write your answer to each question in the space provided.
- Do **not** use an erasable pen or correction fluid.
- Do **not** write on any bar codes.
- You should use a calculator where appropriate.
- You may use tracing paper.
- You must show all necessary working clearly.
- Give non-exact numerical answers correct to 3 significant figures, or 1 decimal place for angles in degrees, unless a different level of accuracy is specified in the question.
- For π , use either your calculator value or 3.142.

INFORMATION

- The total mark for this paper is 70.
- The number of marks for each question or part question is shown in brackets [].

This document has **12** pages.

2

- 1 Find the temperature that is 8°C colder than -5°C .

..... $^{\circ}\text{C}$ [1]

- 2 There are two prime numbers in this list.

27 47 57 61 75 93

Work out the sum of these two prime numbers.

..... [2]

- 3 On ten days, Stefan records the number of minutes he has to wait for a train.

1 3 12 5 4 23 5 24 11 8

- (a) Complete the stem-and-leaf diagram to show this information.

0	1 3
1	
2	

Key: 0 | 1 represents 1 minute

[2]

- (b) Find the median.

..... min [1]

- 4 The distance from town *A* to town *B* on a map is 3.5 cm.
The scale on the map is 1 : 250 000.

Find the actual distance, in kilometres, from town *A* to town *B*.

..... km [2]

- 5 A spinner is spun.
The possible outcomes are A, B, C or D.
The probability of spinning A, C or D is shown in the table.

Letter on spinner	A	B	C	D
Probability	0.2		0.05	0.35

Complete the table.

[2]

- 6 $\mathcal{C} = \{x: 1 \leq x \leq 20\}$
 $E = \{\text{even numbers}\}$
 $M = \{\text{multiples of 5}\}$

(a) Find $n(M)$.

..... [1]

(b) Find the elements in the set $E \cap M$.

..... [1]

(c) $y \notin E$.

Write down a possible value of y .

..... [1]

4

7 Without using a calculator, work out $\frac{4}{7} \div 1\frac{5}{21}$.

You must show all your working and give your answer as a fraction in its simplest form.

..... [3]

8 Solve.

(a) $\frac{30}{x} = 6$

$x =$ [1]

(b) $11x - 3 \geq 2(2x + 9)$

..... [3]

- 9 F is the point $(1, -4)$, $\overrightarrow{FG} = \begin{pmatrix} 8 \\ -3 \end{pmatrix}$ and $\overrightarrow{GH} = \begin{pmatrix} -12 \\ 35 \end{pmatrix}$.

Find

(a) $3\overrightarrow{FG}$

$$\begin{pmatrix} \\ \end{pmatrix} [1]$$

(b) $\overrightarrow{FG} + \overrightarrow{GH}$

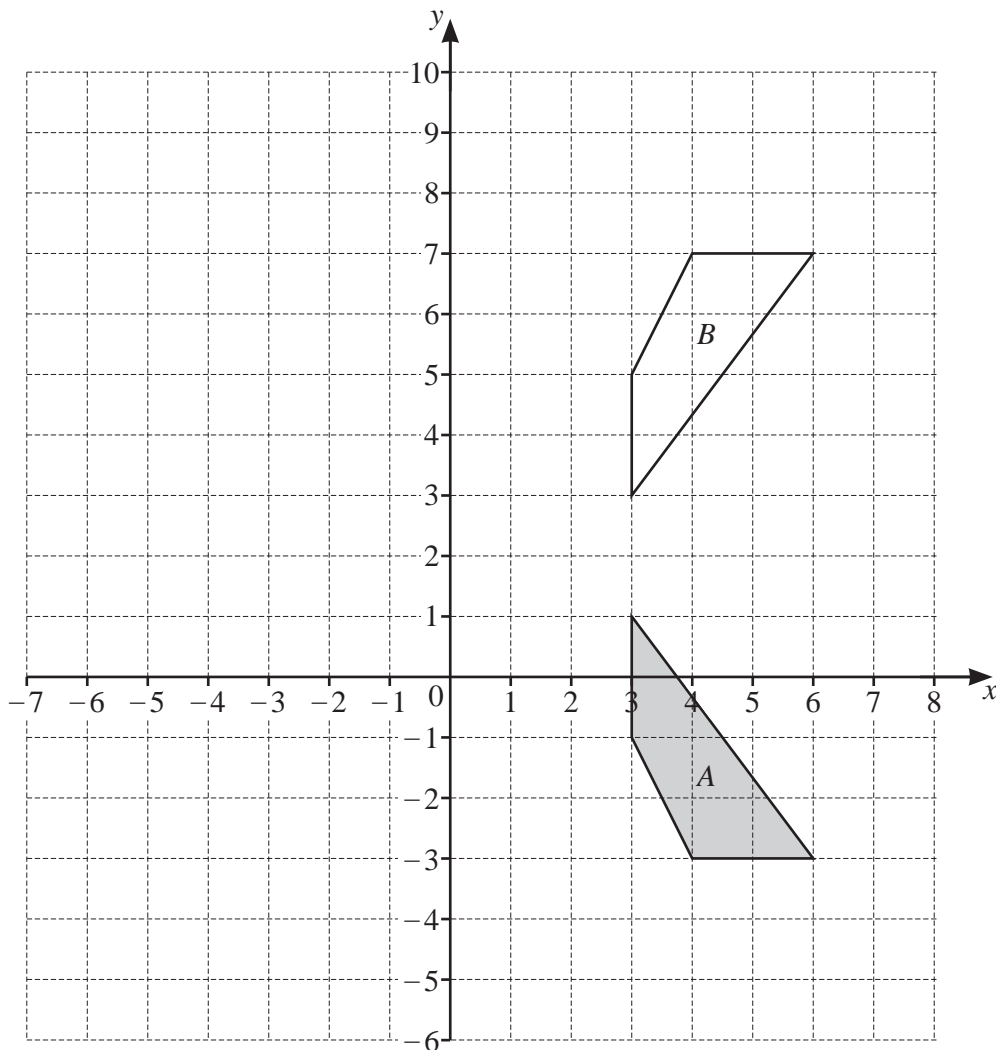
$$\begin{pmatrix} \\ \end{pmatrix} [1]$$

- (c) the coordinates of the point G

$$(\dots\dots\dots, \dots\dots\dots) [1]$$

- (d) the magnitude of vector \overrightarrow{GH} .

$$\dots\dots\dots [2]$$



(a) Describe fully the **single** transformation that maps shape A onto shape B.

.....

[2]

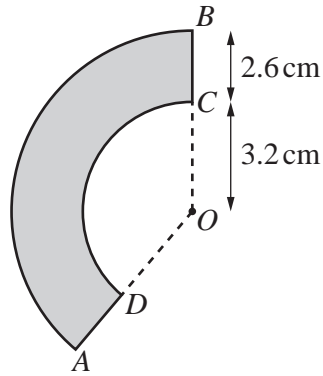
(b) Rotate shape A 90° clockwise about the point $(-1, 2)$.

[2]

(c) Enlarge shape A by scale factor -2 , centre $(2, 0)$.

[2]

11



NOT TO SCALE

The diagram shows a shape, $ABCD$, formed by the sectors of two circles with the same centre O . Both sector angles are 140° , $OC = 3.2$ cm and $CB = 2.6$ cm. The area of the shape is $k\pi$ cm².

Find the value of k .

$k = \dots\dots\dots$ [3]

12 One solution of the equation $ax^2 + b = 181$ is $x = 8$. a and b are both positive integers **greater than 1**.

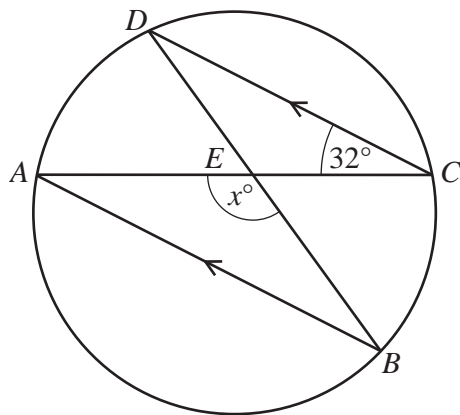
(a) Find the value of b .

$b = \dots\dots\dots$ [2]

(b) Write down the other solution of the equation $ax^2 + b = 181$.

$x = \dots\dots\dots$ [1]

13



NOT TO SCALE

A, B, C and D are points on a circle.
 AB is parallel to DC and angle $ACD = 32^\circ$.
 Chords AC and DB intersect at E .

Find the value of x .

$x = \dots\dots\dots$ [2]

14 $f(x) = 5x + 2$

Find $f^{-1}(x)$.

$f^{-1}(x) = \dots\dots\dots$ [2]

15 C is the point $(5, -1)$ and D is the point $(13, 15)$.

(a) Find the midpoint of CD .

(.....,) [2]

(b) Find the gradient of CD .

..... [2]

(c) Find the equation of the perpendicular bisector of CD .
Give your answer in the form $y = mx + c$.

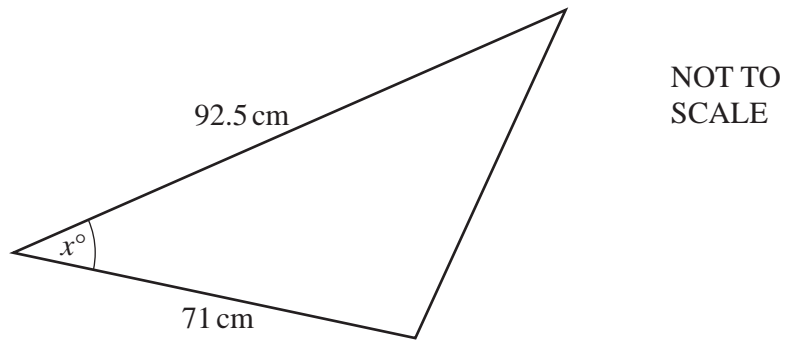
$y =$ [3]

16 Write $0.\dot{6}2\dot{1}$ as a fraction in its simplest form.
You must show all your working.

..... [3]

10

17



The diagram shows a triangle with an acute angle marked x° .
The area of the triangle is 2143 cm^2 .

Work out the value of x .

$$x = \dots\dots\dots [2]$$

18 Make x the subject of the formula.

$$c = \frac{3x}{2x-5}$$

$$x = \dots\dots\dots [4]$$

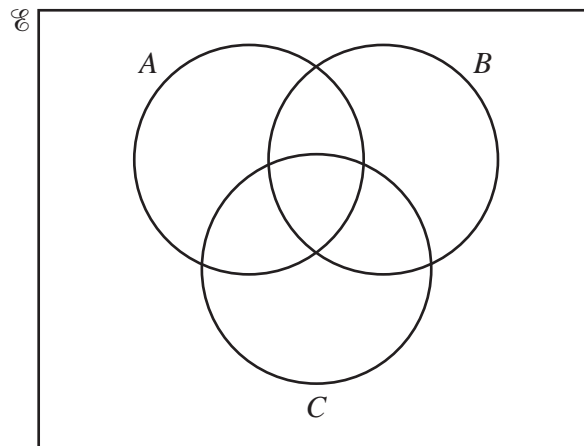
11

- 19 m is inversely proportional to the square of $(t+2)$.
 $m = 0.64$ when $t = 3$.

Find m when $t = 8$.

$m = \dots\dots\dots$ [3]

- 20 In the Venn diagram, shade the region $A \cap B' \cap C$.



[1]

- 21 Solve the equation $5 \sin x = -3$ for $0^\circ \leq x \leq 360^\circ$.

$\dots\dots\dots$ [3]

Questions 22 and 23 are printed on the next page.

22 Write as a single fraction in its simplest form.

$$\frac{5}{3x+2} + \frac{4}{2x-1}$$

..... [3]

23 Bag *A* and bag *B* each contain red sweets and yellow sweets.

Anna picks a sweet at random from bag *A*.

Ben picks a sweet at random from bag *B*.

The probability that Anna picks a red sweet is $\frac{2}{5}$.

The probability Anna and Ben both pick a yellow sweet is $\frac{1}{10}$.

Find the probability that Anna and Ben both pick a red sweet.

..... [3]

Permission to reproduce items where third-party owned material protected by copyright is included has been sought and cleared where possible. Every reasonable effort has been made by the publisher (UCLES) to trace copyright holders, but if any items requiring clearance have unwittingly been included, the publisher will be pleased to make amends at the earliest possible opportunity.

To avoid the issue of disclosure of answer-related information to candidates, all copyright acknowledgements are reproduced online in the Cambridge Assessment International Education Copyright Acknowledgements Booklet. This is produced for each series of examinations and is freely available to download at www.cambridgeinternational.org after the live examination series.

Cambridge Assessment International Education is part of Cambridge Assessment. Cambridge Assessment is the brand name of the University of Cambridge Local Examinations Syndicate (UCLES), which is a department of the University of Cambridge.